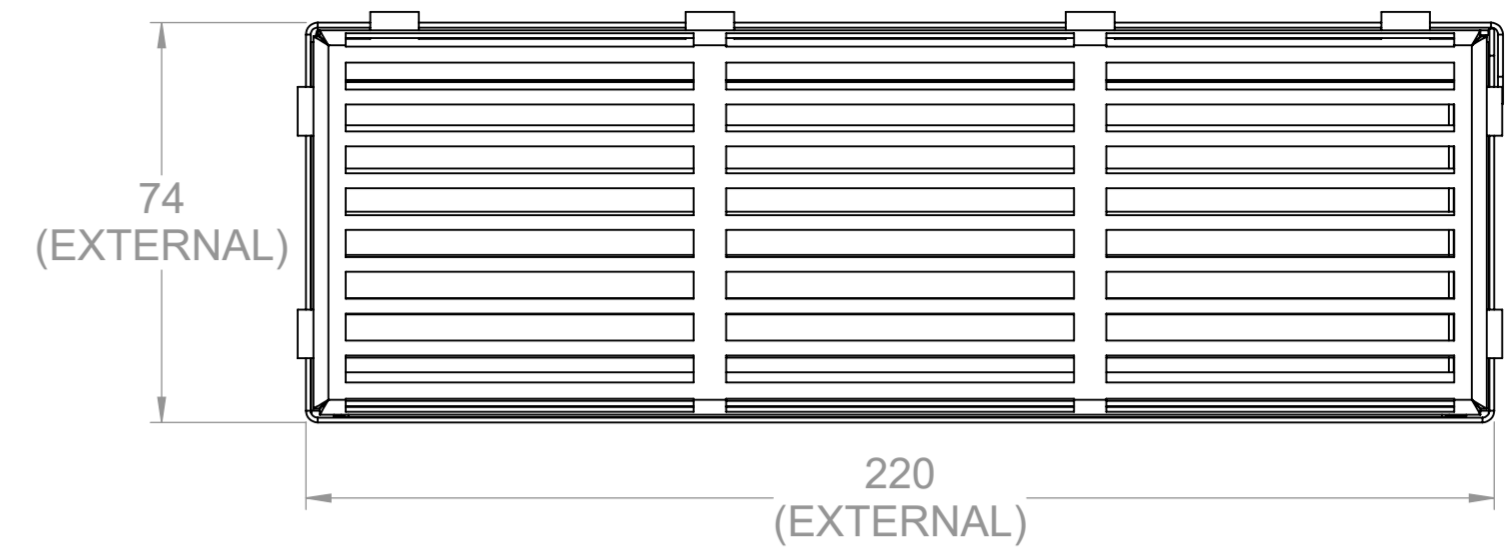
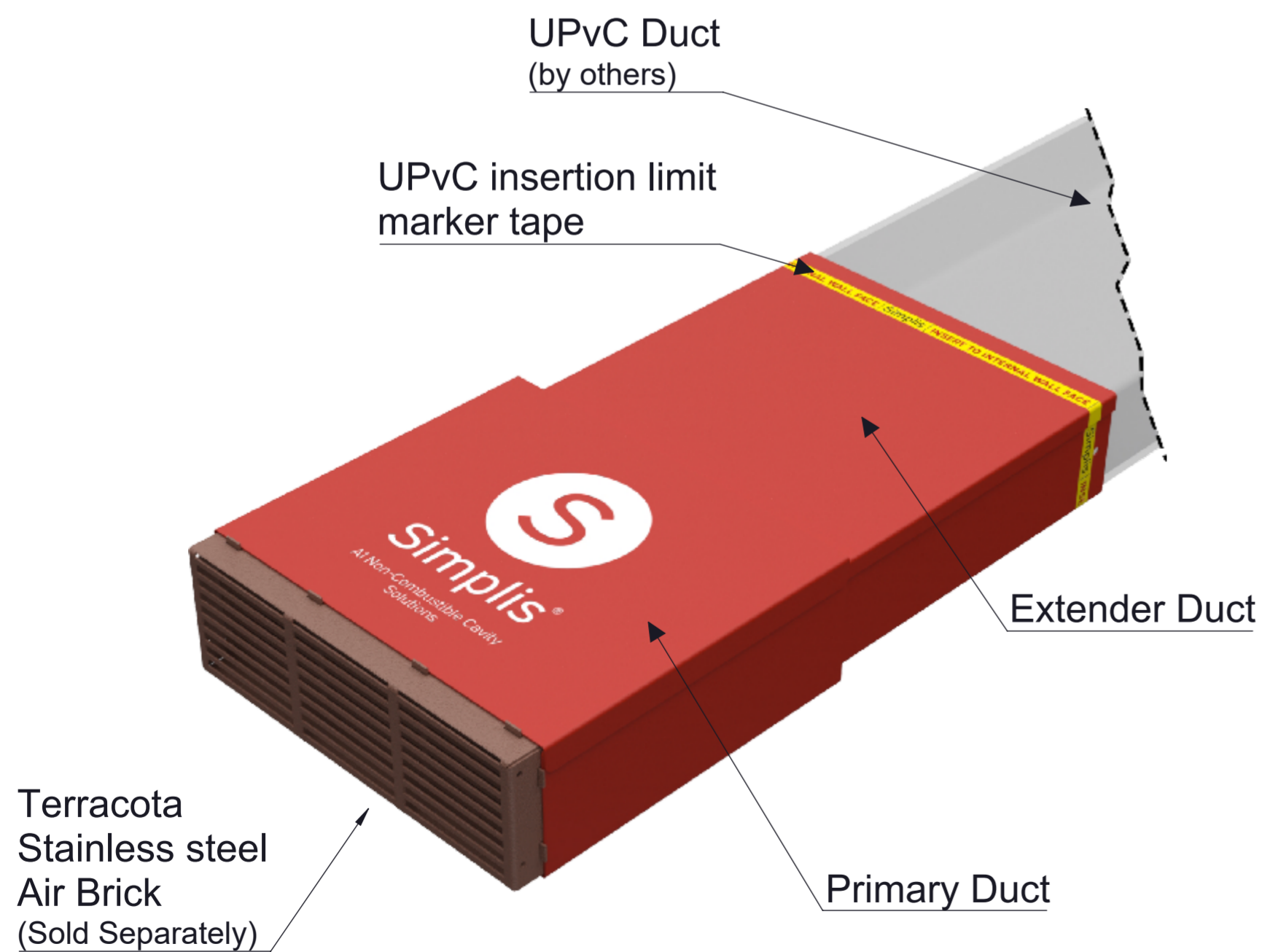
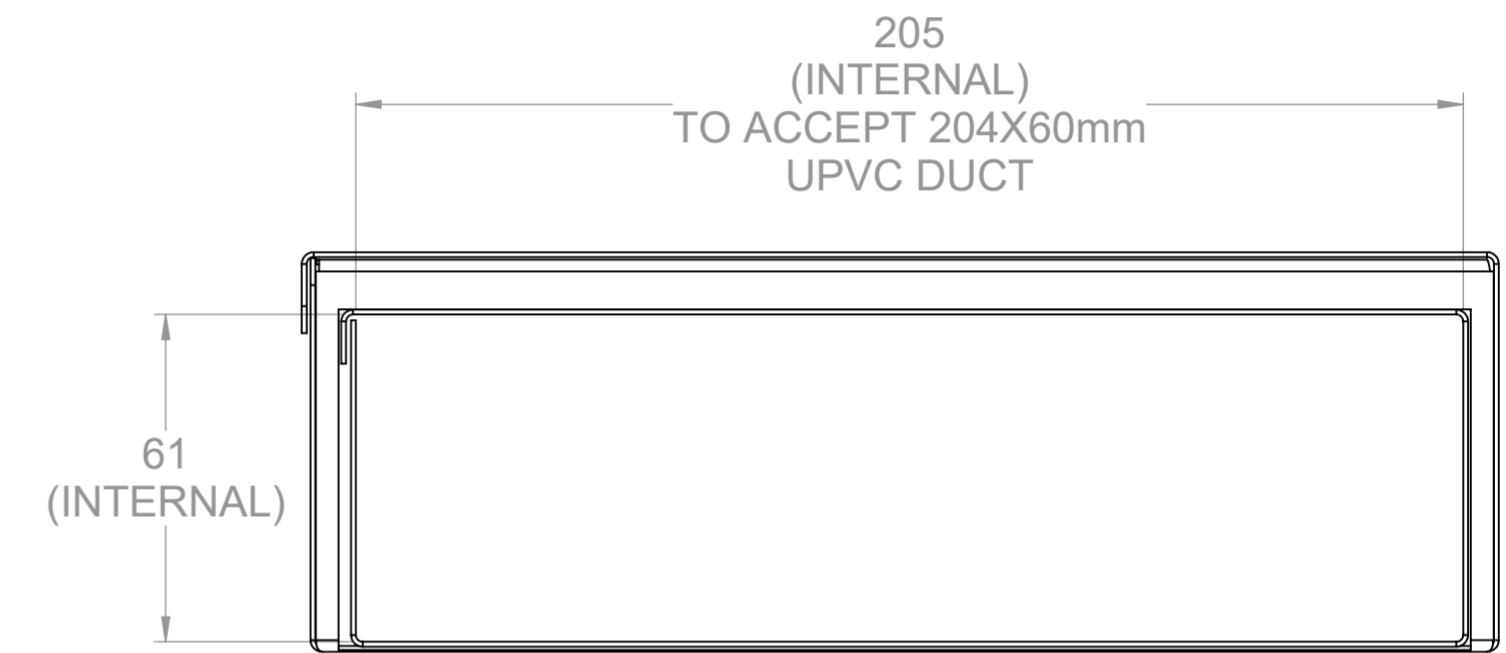


## Telescopic Wall Ducting Kit for Terminal Vent

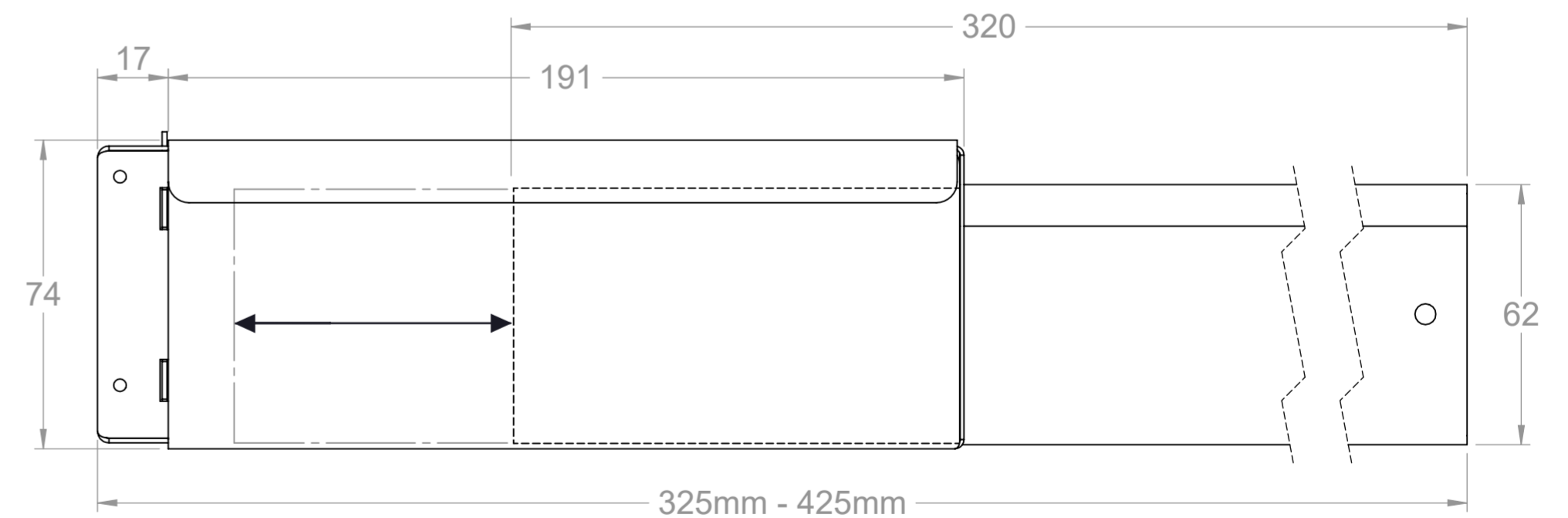
- For attaching to the buildings rectangular HVAC and extract ducting to connect to standard size PVC internal ducting components 204 x 60mm,
- Manufactured from: Corrosion resistant 1mm Galvanised or Zinc coated steel sheet
- Finish: Non-organic heat fused oven baked finish
- Colour: Simplis Redline Red
- Telescopic action fits wall constructions 325 to 425mm wide
- High airflow design meeting Building Regulation Part F with 90% free duct area. (Circular HVAC requires a fitting converter before the wall construction)
- Single air brick 110 x 54mm & Double air brick 220 x 90mm available. Bespoke Sizes on Request
- Air brick supplied separately



Front View



Back View



Side View

**Simplis** Simplifying Interior Solutions

Commercial Support  
Tel : 01724 853 090  
Fax : 01724 848 030  
Email : support@simplis.co.uk

Title :

A1 Certified Non-Combustible  
Telescopic Wall Ducting Kit for Terminal Vents 204x60mm

Scale at A3:	Date:	Drawn:	Dwg No.:
	31-03-2021	SO	A1PRJW001-01-MA001