

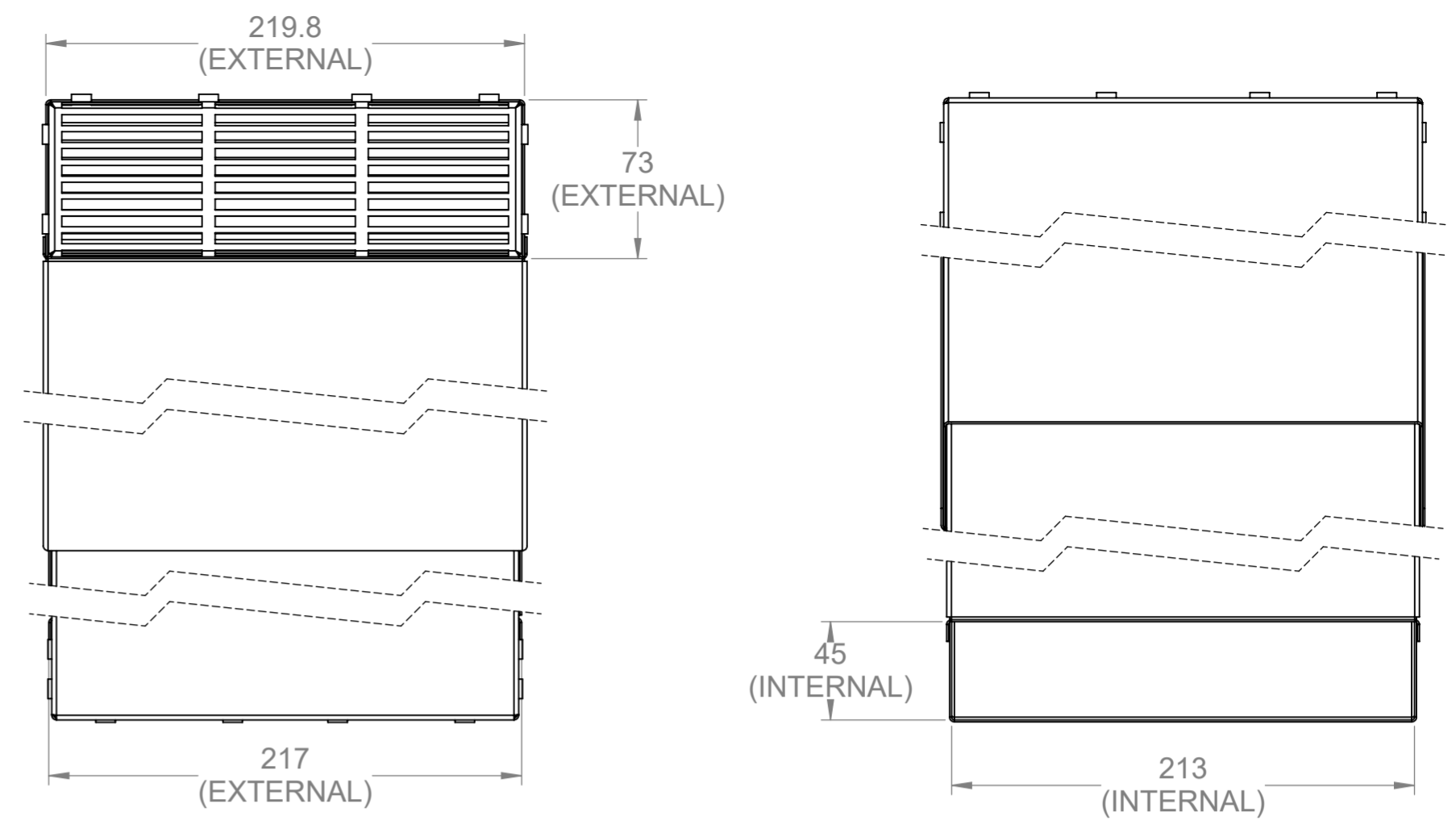
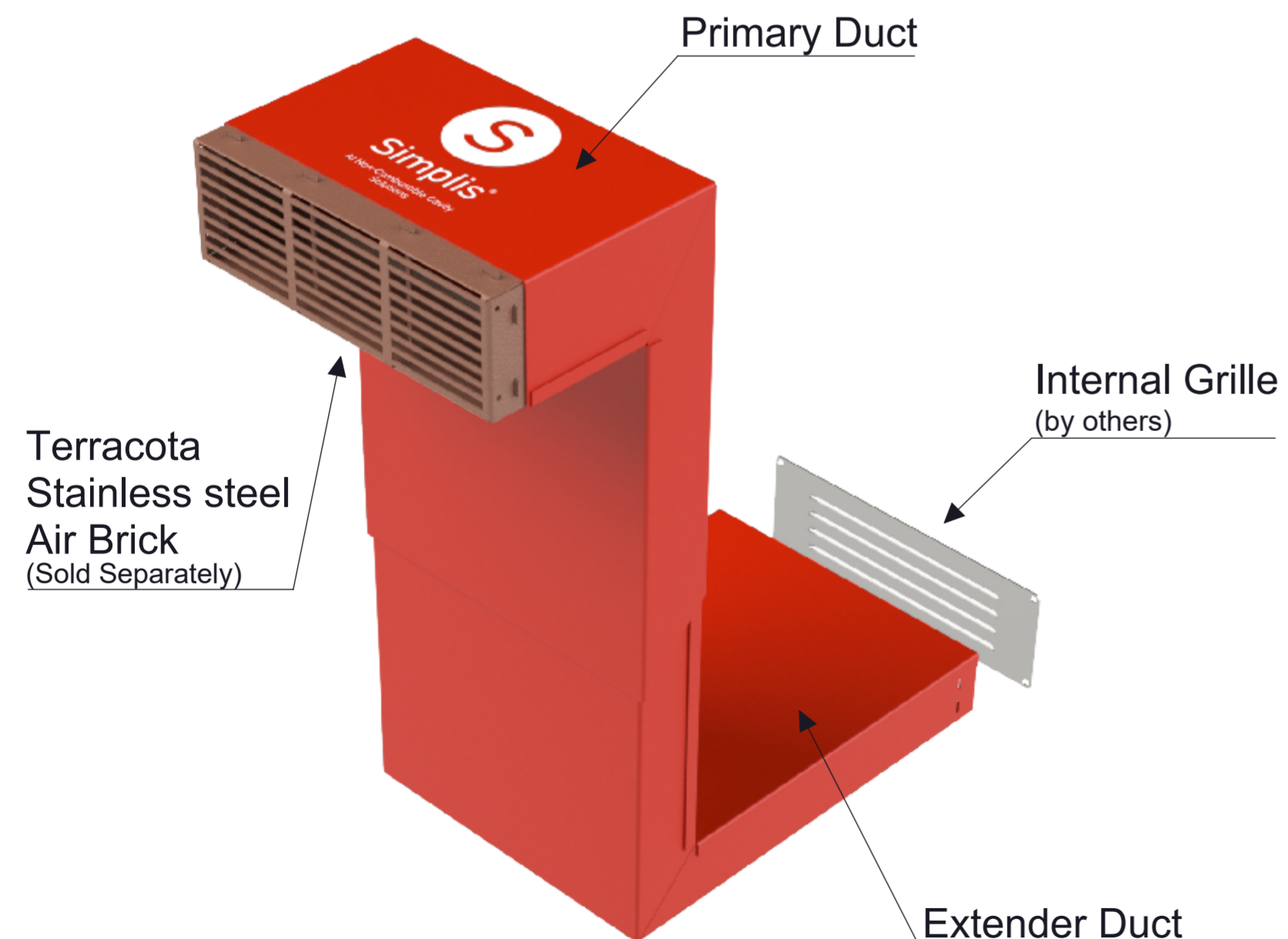
Teleperiscopic Metal Room Ventilation Kit

- Teleperiscopic Kit for room ventilation or attached to rectangular HVAC Pvc extract ducting
- Manufactured from: Corrosion resistant 1mm Galvanised or Zinc coated steel sheet
- Finish: Non-organic heat fused oven baked finish
- Colour: Simplis Redline Red
- Vertically telescopic to accommodate 5-7 brick height 300mm - 525mm
- High airflow design meeting Building Regulation Part F with 90% free duct area. (Circular HVAC requires a fitting converter before the wall construction)
- Single & Double air brick

Height + Adjustments

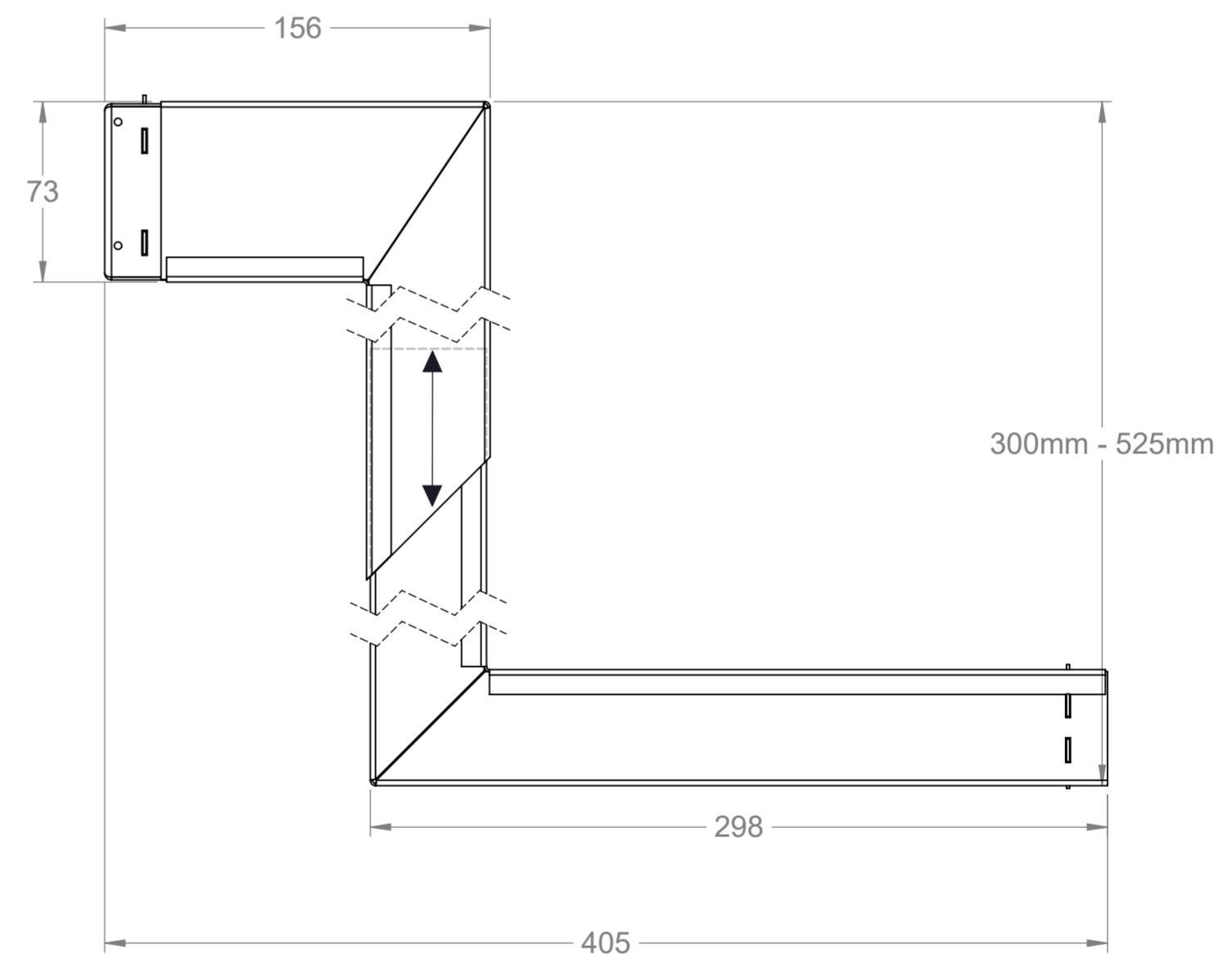
3-4 bricks = 210mm - 300mm
 5-7 bricks = 300mm - 525mm
 8-10 bricks = 450mm - 750mm
 Bespoke sizes on request

- Air brick supplied separately



Front View

Back View



Side View

Simplis Simplifying Interior Solutions

Commercial Support
 Tel : 01724 853 090
 Fax : 01724 848 030
 Email : support@simplis.co.uk

Title : A1 Certified Non-Combustible
 Teleperiscopic Metal Room Ventilation Kit
 Single Air Brick 300mm - 525mm

Scale at A3:	Date:	Drawn:	Dwg No.:
	12-04-2021	SO	A1PRJW001-01-TZVMA003