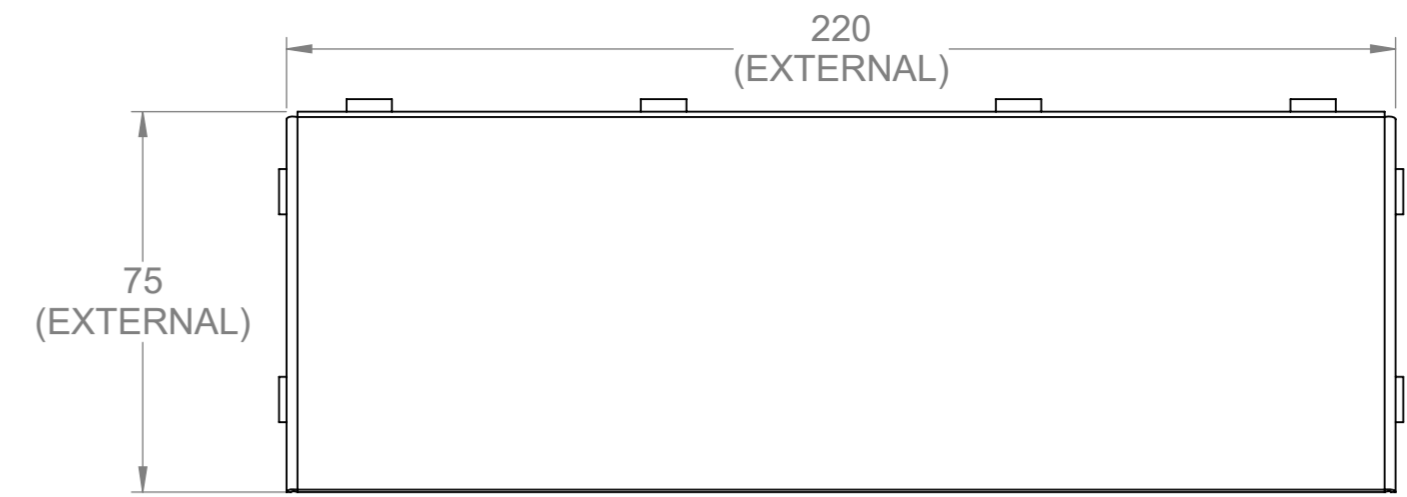
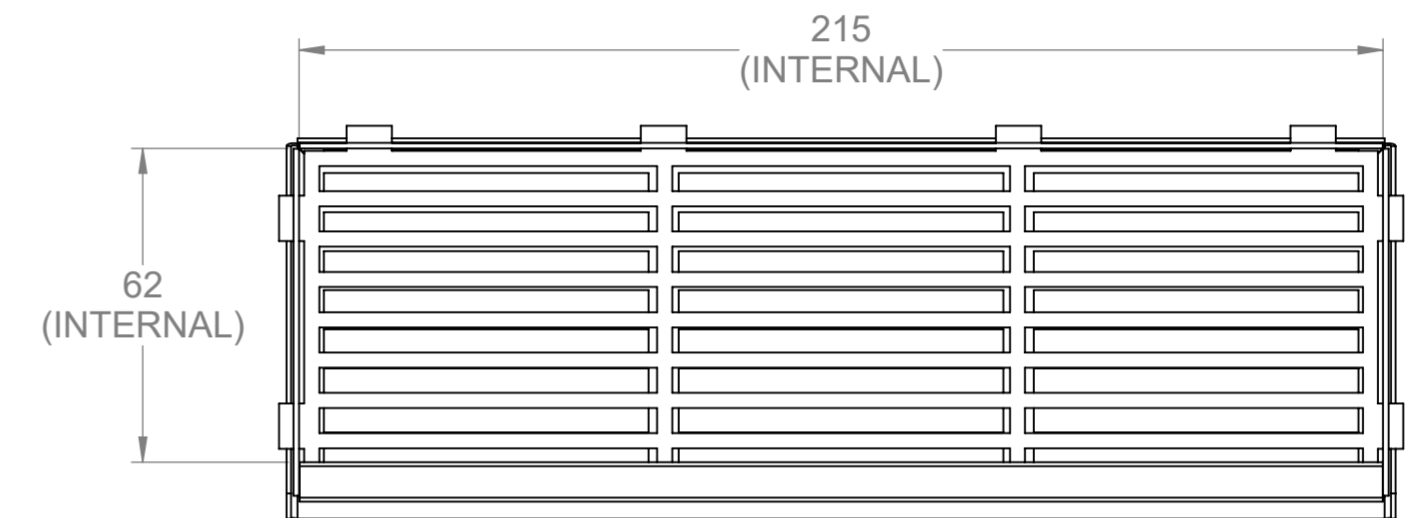


A1 Non-Combustible Single Stainless Steel Air Bricks with Cowell

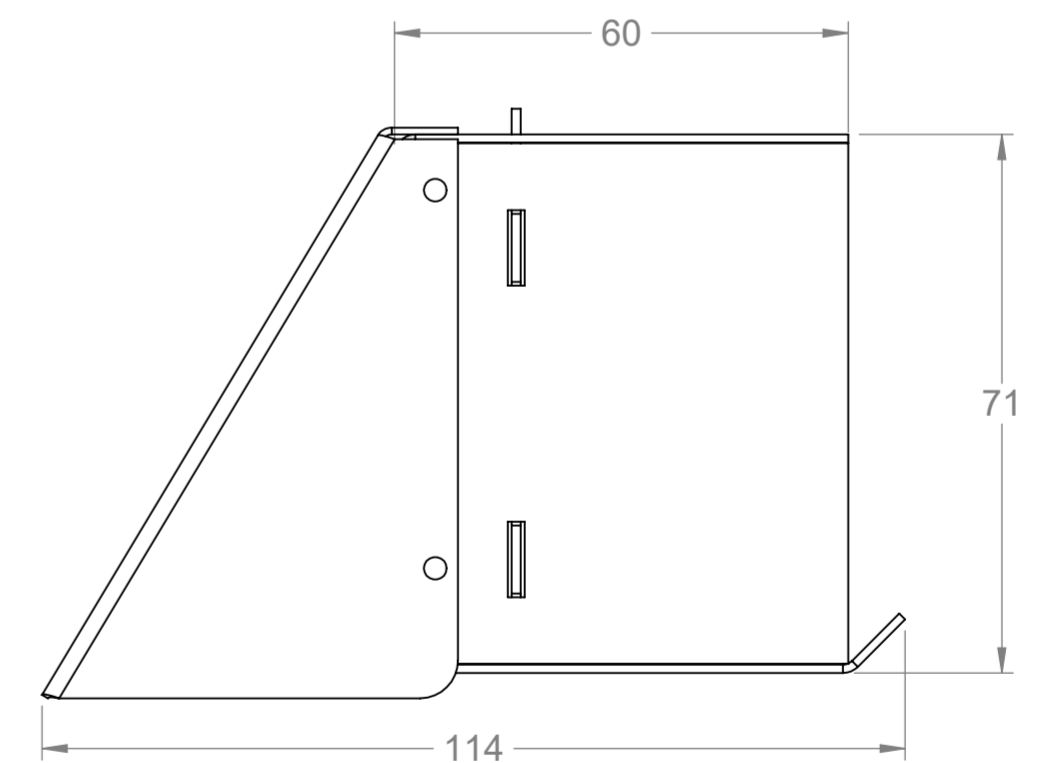
- A1 Non Combustible Stainless Steel Air Bricks in 1,2 & 3 unit combinations for higher airflow demands, with Cowell for rain protection
- Manufactured from: Corrosion resistant 1mm Stainless Steel
- Finish: Non-organic heat fused oven baked finish
- Standard Colour: Natural Mill Finish Stainless Steel
Terracotta
Buff
Black
White
Anthracite
Rust Brown
- Specialist colours on request.
- High airflow design meeting Building Regulation Part F with 90% free duct area.
- Single, Double & Triple air brick
Bespoke sizes on request



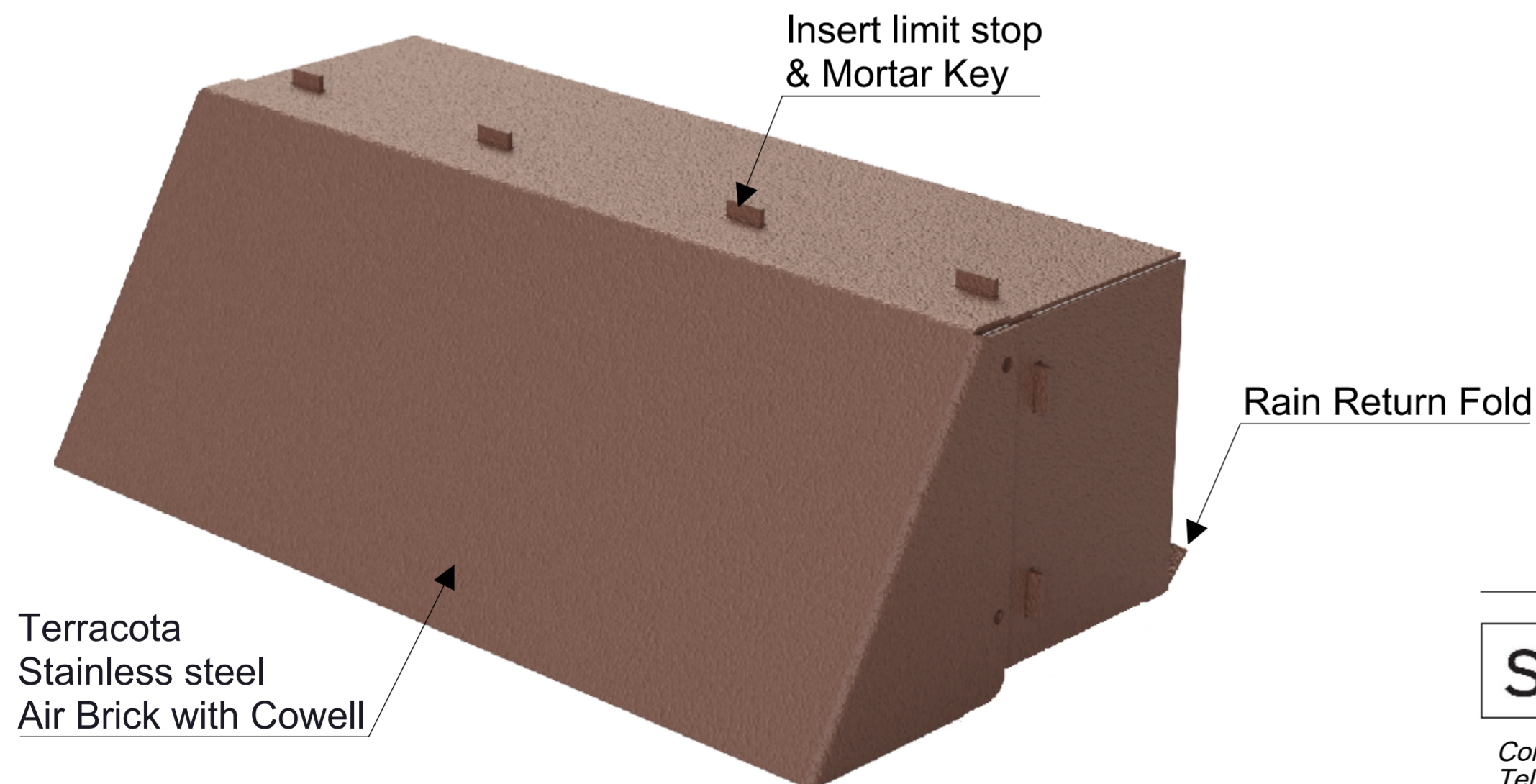
Front View



Back View



Side View



Simplis Simplifying Interior Solutions

Commercial Support
Tel : 01724 853 090
Fax : 01724 848 030
Email : support@simplis.co.uk

Title :

A1 Non-Combustible Single Stainless Steel Air Bricks with Cowell

Scale at A3:	Date:	Drawn:	Dwg No.:
	16-04-2021	SO	A1PRJW001-01-ABMA001