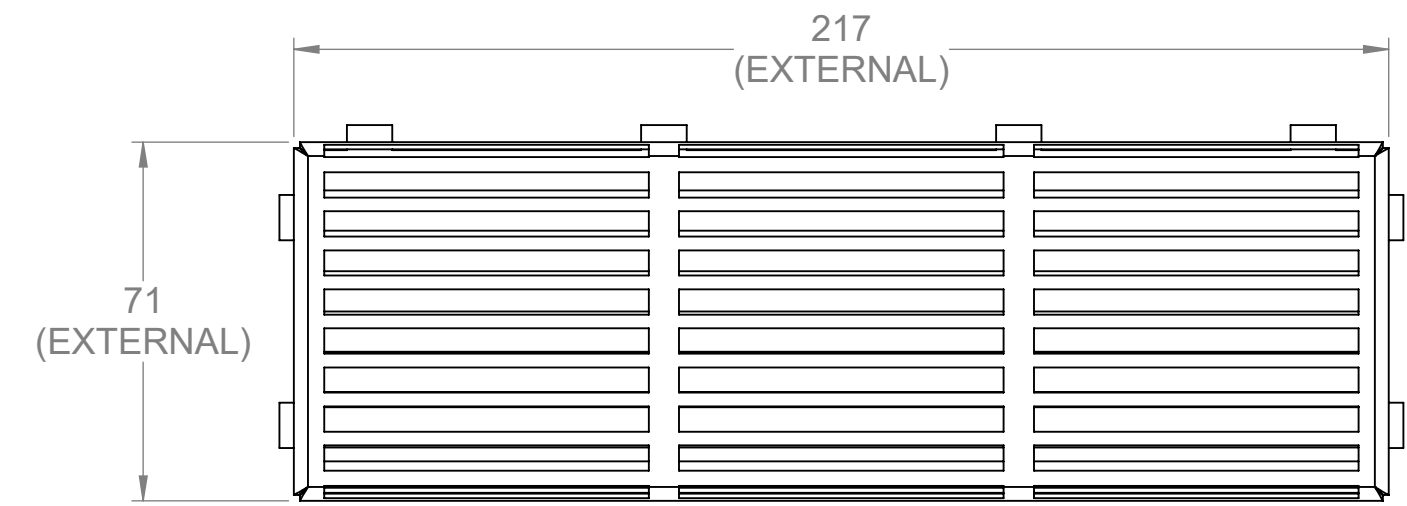
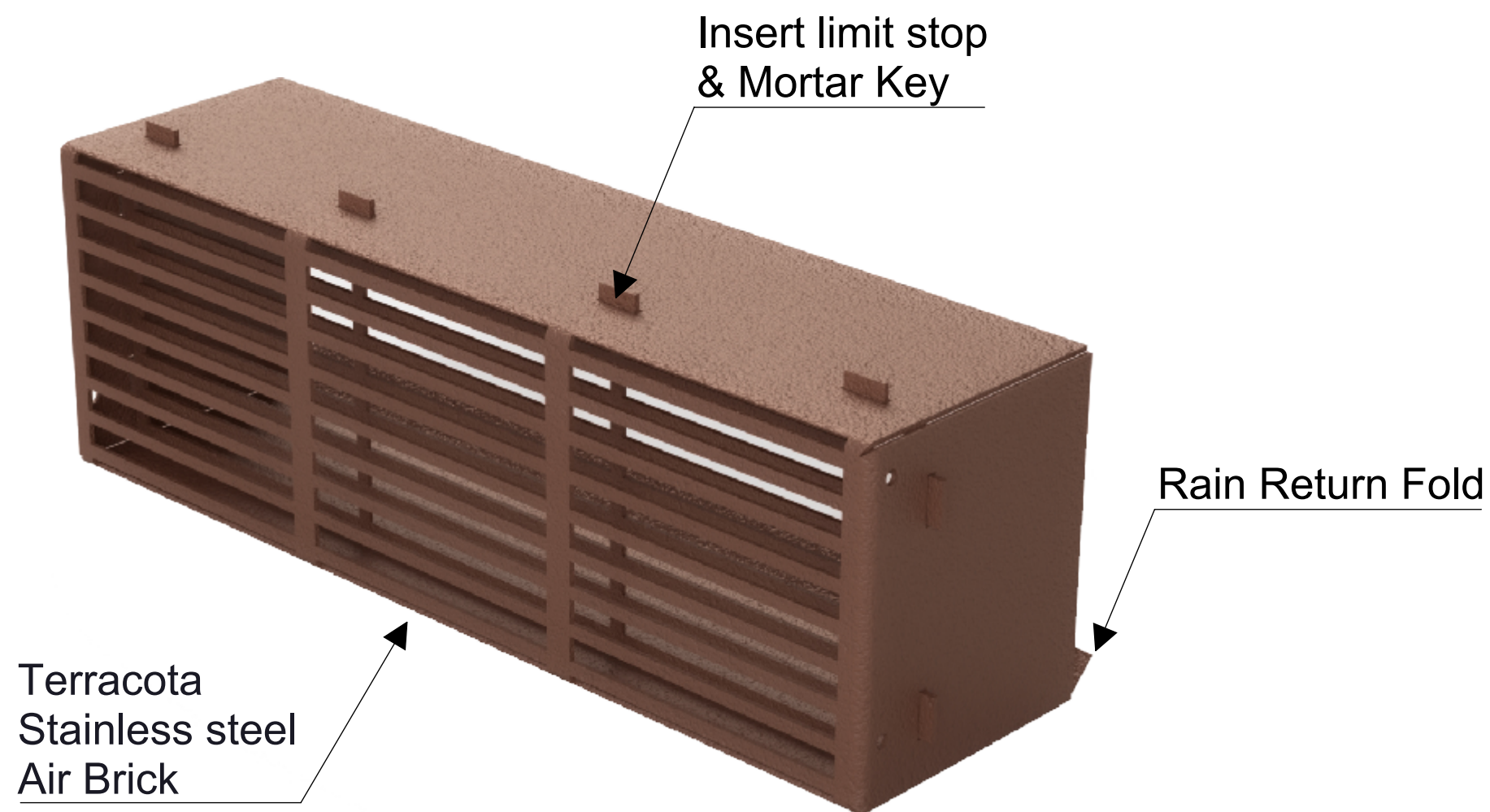
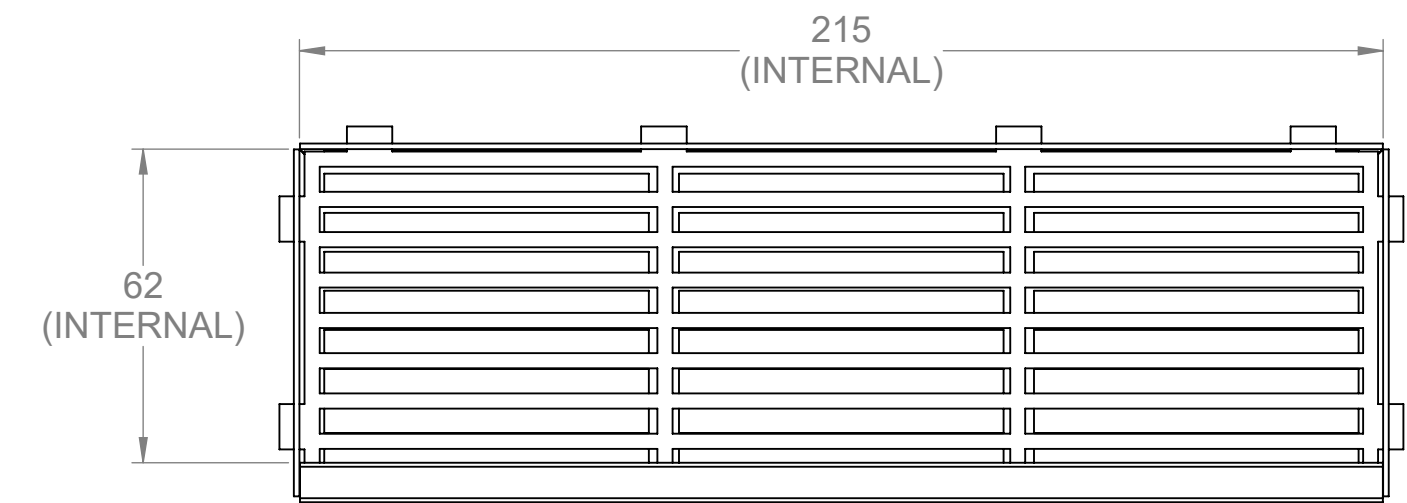


## A1 Non-Combustible Single Stainless Steel Air Bricks

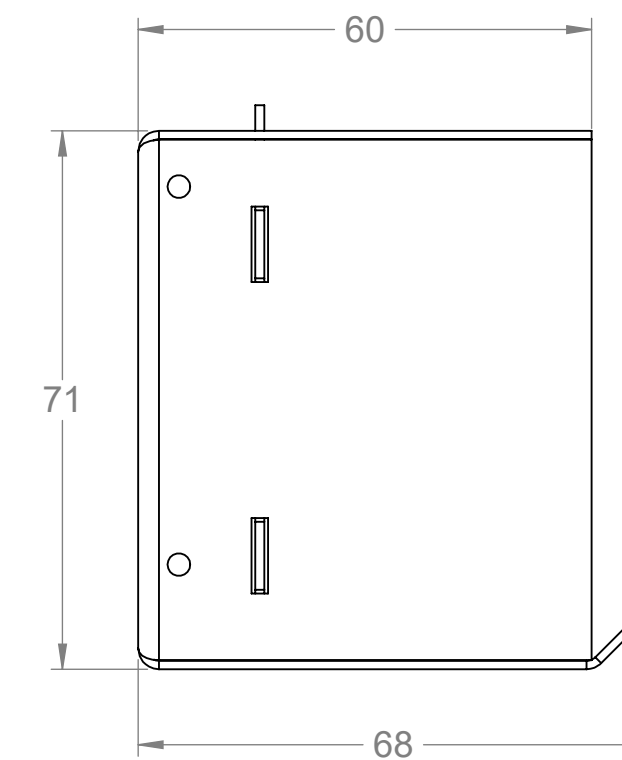
- A1 Non Combustible Stainless Steel Air Bricks in 1,2 & 3 unit combinations for higher airflow demands
- Manufactured from: Corrosion resistant 1mm Stainless Steel
- Finish: Non-organic heat fused oven baked finish
- Standard Colour: Natural Mill Finish Stainless Steel  
Terracotta  
Buff  
Black  
White  
Anthracite  
Rust Brown
- Specialist colours on request.
- High airflow design meeting Building Regulation Part F with 90% free duct area.
- Single, Double & Triple air brick  
Bespoke sizes on request



Front View



Back View



Side View

**Simplis** Simplifying Interior Solutions

Commercial Support  
Tel : 01724 853 090  
Fax : 01724 848 030  
Email : support@simplis.co.uk

Title :

A1 Non-Combustible Single Stainless Steel Air Bricks

| Scale at A3: | Date:      | Drawn: | Dwg No.:             |
|--------------|------------|--------|----------------------|
|              | 16-04-2021 | SO     | A1PRJW001-01-ABMA001 |